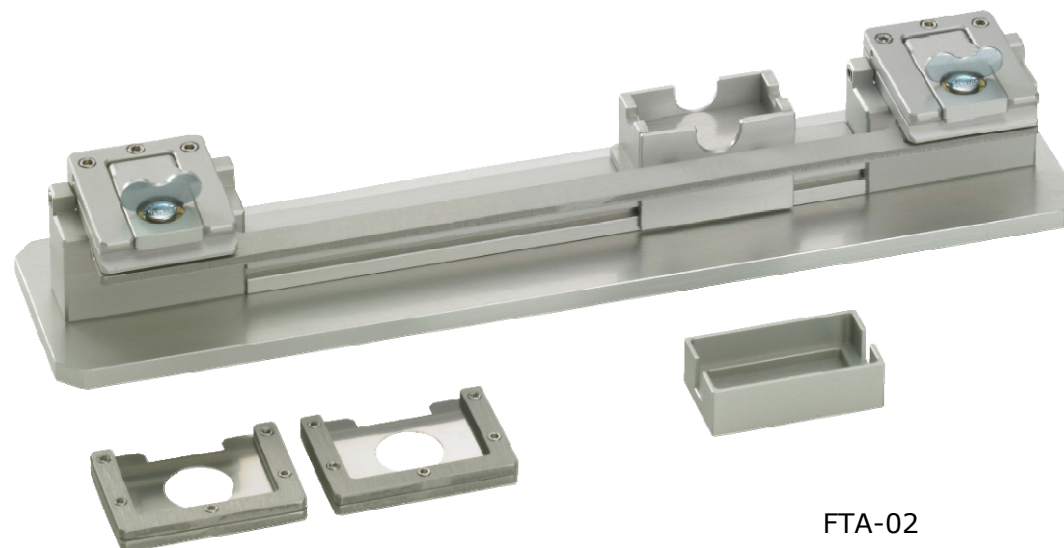


Fiber Arrangement Tool **FTA-02 series**

The FTA-02 organizes individual fibers into temporary ribbons for mass fusion splicing. Ribbonizing can be completed in less than 3 minutes, including adhesive drying time.



FTA-02

Specifications			
Part number		FTA-02	FTA-02-200
Applicable Fiber	Material	Silica glass	
	Coating diameter	Φ 250 μm	Φ 200 μm
	Coating material	UV cured resin	
	Fiber count	Up to 12 fibers	
Ribbonised section length		Approx. 100 mm	
Dimensions		291(W) mm x 64(D) mm x 58(H) mm	
Weight		750 g	
Consumables kit required		FAC-24 (Optional) Adhesive, applicator pads and pad removal pick	

■Specifications are subject to change without prior notice.